

NE  
WS  
2024



# NEWS

2024

The evolution of lifestyles, the growing passion for the world of kitchen, the need to meet functional and aesthetic requirements are just some of the trends that Barazza has been inspired by to create exclusive products that renew its wide range in terms of dimensions and technologies. For an increasingly engaging cooking experience, both indoors and outdoors.









# INDEX

10	60 cm Aura refrigerators
14	60 cm Aura dishwashers
20	75 cm Icon X ovens and microwave
24	75 cm City induction hob
26	67x50.5 cm B_Smart sink
26	62x40 cm R. "15" square bowls
28	60 cm Icon One ovens and microwave
32	90 cm Icon XL ovens
34	60 cm Velvet Advance ovens
36	90 cm Icon induction hob
38	80 cm Zero Advance induction hob
40	80 cm Thalys Teppanyaki hob
42	70 cm Thalys barbecue hob
44	Accessories
46	Technical Information







From the Barazza experience comes Aura, the new collection of white goods: built-in dishwashers and refrigerators designed to bring a breath of fresh air to the kitchen. Different versions, perfect technology employed to ensure maximum hygiene and practicality in dishwashers, and to recreate differentiated cold zones that facilitate food preservation in refrigerators.

# 60 CM AURA REFRIGERATORS

The ritual of freshness.

---





Aura is the pure cold of built-in combi-refrigerators in the 60 cm size, available in Advance and One versions.

Two forced convection systems and two separate air circulations ensure independent cooling and freezing, preventing the mixing of odors. Thanks to the Tropical 43° C climate class, the refrigerator can operate optimally in environments with temperatures between +10° C and +43° C.

The Metal Cooling interior finish, with its elegant design, enhances aesthetics and improves cooling performance. The Dual Control display with Touch Control allows separate control of the refrigerator and freezer compartment temperatures and functions.

The V-Lift system provides convenient height adjustment for the bottle shelf, allowing six different heights to optimize space.

LED lighting on the sides and top ensures uniform visibility of food inside the refrigerator.

The VitaMod drawer, whose lighting replicates the spectrum of sunlight, preserves the freshness and nutritional value of food, maintaining the vitamin C content up to 90% and antioxidant activity up to 83%.

The ZeroGradi drawer also creates optimal conditions for the prolonged storage of fresh meat and fish.

# AURA ADVANCE REFRIGERATOR

## 60 cm built-in

60 cm Aura Advance built-in combi-refrigerator



energy rating **D**

- Advanced No Frost
- Autodefrosting
- Independent cooling systems
- Metal Cooling at the rear
- Dark steel finish details
- Humidity Control Technology
- Holiday and Demo modes
- Tropical 43° C
- Display Dual Control with Touch Control

### Refrigerator Features

- 3 tempered glass shelves
- 4 door shelves (1 adjustable V-Lift)
- 2 side LED lights, 1 top LED light
- ZeroDegree drawer
- Drawer with VitaMod technology
- Super Cool function

### Freezer Features

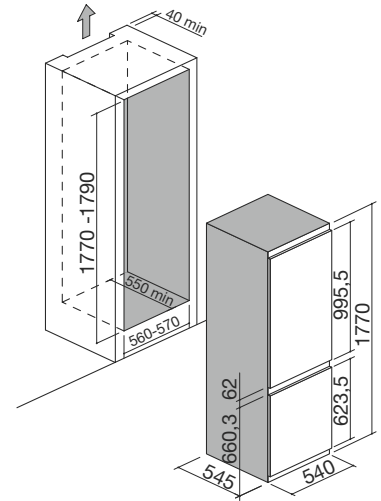
- Fast Freeze pull-out tray
- 2 drawers
- Drink Cool function

### Accessories

- Egg container
- Ice tray

### Additional Features

- Trailing hinges
- Reversible door
- Schuko mains plug
- Total volume: 233 litres
- Refrigerator volume: 170 litres
- Freezer volume: 63 litres
- Dimensions: 177x54x54.5 cm
- Power supply: 220 – 240 V 50 Hz
- Maximum absorbed power: 0.157 kW



WHITE/DARK STEEL FINISH

code 1FCA6I

€ 1,340.00

# AURA ONE REFRIGERATOR

## 60 cm built-in

60 cm Aura One built-in combi-refrigerator



energy rating E

- Advanced no frost
- Autodefrosting
- Independent cooling systems
- Humidity control technology
- Steel finish details
- Holiday and Demo modes
- Tropical 43° C
- Display Dual Control with Touch Control

### Refrigerator Features

- 4 tempered glass shelves
- 4 door shelves
- 2 side LED lights, 1 top LED light
- Fruit and vegetable drawer with humidity control system
- Super Cool function

### Freezer Features

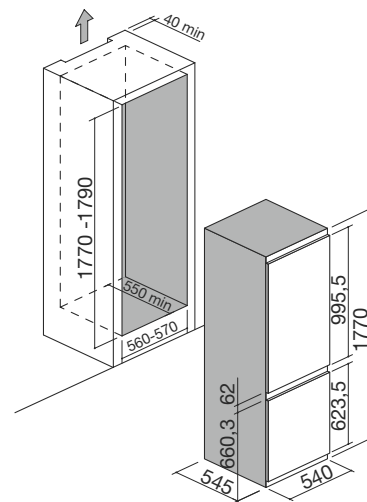
- 1 Fast Freeze pull-out tray
- 2 drawers
- Drink Cool function

### Accessories

- Egg container
- Ice tray

### Additional Features

- Trailing hinges
- Reversible door
- Schuko mains plug
- Total volume: 233 litres
- Refrigerator volume: 170 liters
- Freezer volume: 63 litres
- Dimensions: 177x54x54.5 cm
- Power supply: 220 – 240 V 50 Hz
- Maximum absorbed power: 0.157 kW



WHITE/STEEL FINISH

code 1FCE6I

€ 1,089.00



60 CM AURA DISHWASHERS  
Purity in detail.

---







Aura is the care for hygiene thanks to the technological innovation of the fully integrated 60 cm dishwashers, available in Advance and One versions.

The silence of the inverter motor, adjustable capacity based on the load and numerous intelligent washing and drying functions are just a few of the many innovations.

The AutoDoor function increases the efficiency of the Turbo drying system by automatically opening the door at the end of the cycle.

The internal lighting makes it easy to load and unload dishes without needing to turn on other kitchen lights.

The Smart Wash function uses intelligent technology to optimize washing time and temperature based on the amount of dirt, ensuring high performance.

The Triple Wash technology, with additional sprayers under the lower basket, offers excellent cleaning for very dirty dishes and pots, while Direct Wash ensures deep, multi-directional cleaning with millimeter precision.

# AURA ADVANCE DISHWASHER 60 cm built-in

60 cm Aura Advance built-in fully integrated dishwasher



energy rating **D**

- 15 place settings
- 9 programs: Mini 14', Quick 30', Eco, Super 50', Dual Pro Wash 60° C, Hygiene 70° C, Smart 30-50° C, Smart 50-60° C, Smart 60-70° C
- Delay start
- Half-load program
- Inverter Motor
- Touch Control
- Steel finish control panel

#### Configuration

- Triple Wash & Direct Wash
- AquaZone
- AcquaStop
- Extra Silent
- Extra Fast function
- Energy saving function
- Turbo drying
- AutoDoor (automatic opening)
- InfoLED on the door

#### Features

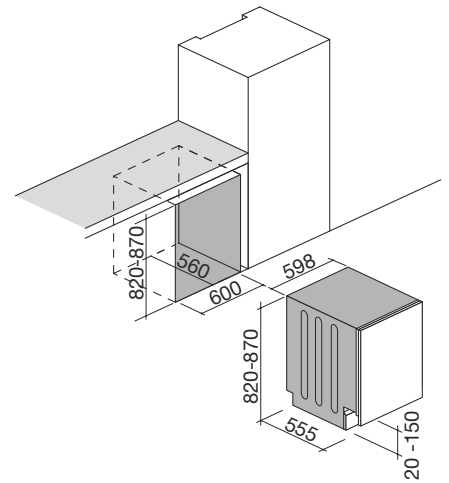
- Internal side light
- Metal filter
- 3 dark grey baskets (lower basket with 4 foldable racks, upper basket with 2 foldable racks, 4 cup shelves and 3 adjustable heights, third adjustable cutlery drawer)

#### Accessories

- Cutlery basket

#### Additional Features

- Sliding door: minimum 2 cm plinth
- Schuko mains plug
- Noise level: 39 dBA
- Water consumption / Eco program: 9 litres
- Dimensions: 59.8x55.5x82/87 h cm
- Power supply: 220-240 V 50 Hz
- Maximum absorbed power: 1.9 kW



**DARK GREY/STAINLESS STEEL**

code **1LVA6I**

€ **1,210.00**

# AURA ONE DISHWASHER 60 cm built-in

60 cm Aura One built-in fully integrated dishwasher



energy rating **D**

- 15 place settings
- 9 programs: Mini 14', Quick 30', Eco, Super 50', Dual Pro Wash 60° C, Hygiene 70° C, Smart 30-50° C, Smart 50-60° C, Smart 60-70° C
- Delay start
- Half-load program
- Inverter Motor
- Touch Control
- Steel finish control panel

#### Configuration

- AquaZone
- AcquaStop
- Extra Silent
- Extra Fast function
- Energy saving function
- Turbo drying
- AutoDoor (automatic opening)
- InfoLED on the door

#### Features

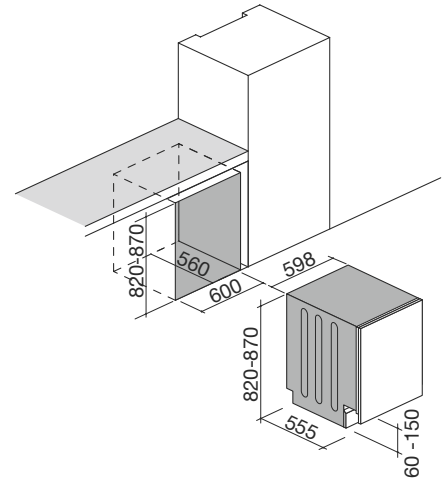
- Metal filter
- 3 dark grey baskets (lower basket with 4 foldable racks, upper basket with 2 foldable racks, 4 cup shelves and 2 adjustable heights, fixed third cutlery drawer)

#### Accessories

- Cutlery basket

#### Additional Features

- Sliding door: minimum 6 cm plinth
- Schuko mains plug
- Noise level: 44 dBA
- Water consumption / Eco program: 9 litres
- Dimensions: 59.8x55.5x82/87 h cm
- Power supply: 220-240 V 50 Hz
- Maximum absorbed power: 1.9 kW



**DARK GREY/STAINLESS STEEL**

code **1LVE6I**

€ **1,066.00**



MODULARITY OF 75  
Conquering new dimensions.



Barazza presents a new modularity of 75 cm in line with current furniture trends: oven, microwave, induction hob, sinks, square bowls and refrigerator promise to give a new dimension to the kitchen environment.



# 75 CM ICON X OVENS AND MICROWAVE

The measure of results.

---







The new 75 cm Icon X oven with coordinated microwave stands out for its impressive 89 litre capacity and numerous functions, reflecting the latest trends in interior design.

It features Soft-Touch knobs and handle, as well as Soft-Close hinges, providing a pleasant and safe user experience.

Available in Exclusive, Steel, and Glass finishes, this oven perfectly fits various decor styles, making it a versatile and elegant choice for any kitchen.

# ICON X OVENS

## 75 cm built-in

75 cm Icon X Exclusive built-in oven  
Multiprogram



75 cm Icon X Steel built-in oven  
Multiprogram



75 cm Icon X Glass built-in oven  
Multiprogram

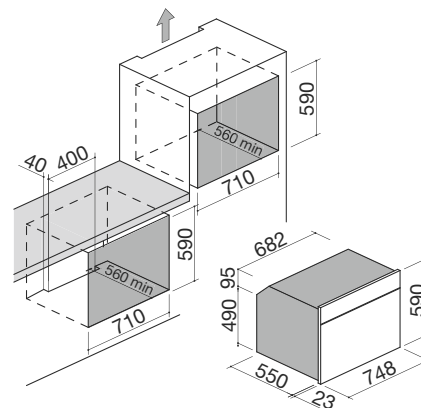


energy rating **A**

Accessories: **33**



- 9 manual functions
- maximum temperature: 250° C
- capacity: 89 litres
- electronic digital start/stop cooking programmer and timer
- features: front controls, knobs and handle in Soft-Touch finish, Easy Clean oven interior, extractable and removable door with triple heat-reflecting glass, Soft-Close hinges, tangential cooling fan, 2 rear lights, side racks
- equipment: 1 Easy Clean enamelled steel tray, 1 steel rack, 1 pair of telescopic oven rails, rotisserie
- safety device: safety switch-off
- maximum absorbed power: 3.5 kW



**MATT BLACK STAINLESS STEEL**

code **1FIXEPN**

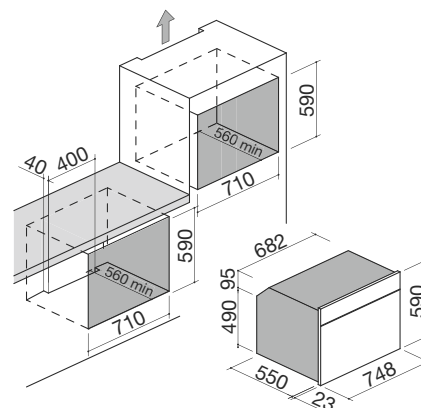
€ **1,900.00**

energy rating **A**

Accessories: **33**



- 9 manual functions
- maximum temperature: 250° C
- capacity: 89 litres
- electronic digital start/stop cooking programmer and timer
- features: front controls, knobs and handle in Soft-Touch finish, Easy Clean oven interior, extractable and removable door with triple heat-reflecting glass, Soft-Close hinges, tangential cooling fan, 2 rear lights, side racks
- equipment: 1 Easy Clean enamelled steel tray, 1 steel rack, 1 pair of telescopic oven rails, rotisserie
- safety device: safety switch-off
- maximum absorbed power: 3.5 kW



**SATIN STAINLESS STEEL**

code **1FIXSP**

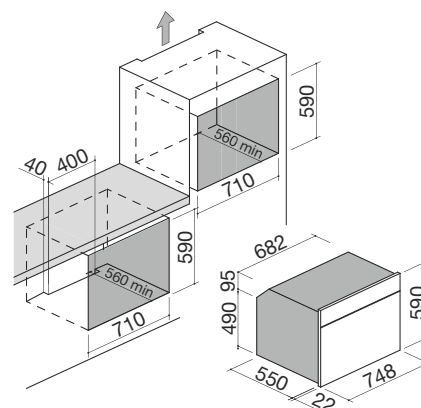
€ **1,830.00**

energy rating **A**

Accessories: **33**



- manual functions
- maximum temperature: 250° C
- capacity: 89 litres
- electronic digital start/stop cooking programmer and timer
- features: front controls, knobs and handle in Soft-Touch finish, Easy Clean oven interior, extractable and removable door with triple heat-reflecting glass, Soft-Close hinges, tangential cooling fan, 2 rear lights, side racks
- equipment: 1 Easy Clean enamelled steel tray, 1 steel rack, 1 pair of telescopic oven rails, rotisserie
- safety device: safety switch-off
- maximum absorbed power: 3.5 kW



**BLACK GLASS**

code **1FIXGP**

€ **1,790.00**

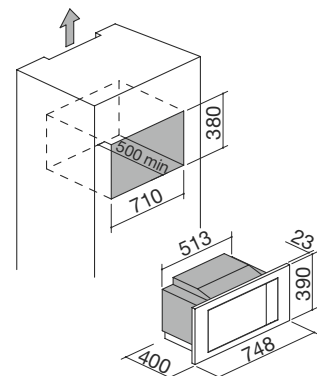
# MICROWAVE OVENS

## 75 cm built-in

### 75 cm Exclusive built-in microwave oven



- 6 cooking functions
- automatic programming for 8 types of food
- capacity: 25 litres
- features: steel oven interior, glass inner door, double-glass side opening door, internal light
- equipment: extractable turntable, raised removable grill rack
- safety devices: child-safety function
- maximum absorbed power: 1.45 kW



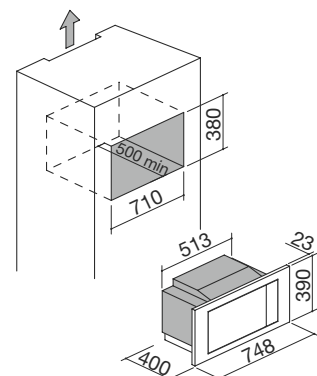
**MATT BLACK STAINLESS STEEL/BLACK GLASS** code **1MOXEN**

**€ 729.00**

### 75 cm Steel built-in microwave oven



- 6 cooking functions
- automatic programming for 8 types of food
- capacity: 25 litres
- features: steel oven interior, glass inner door, double-glass side opening door, internal light
- equipment: extractable turntable, raised removable grill rack
- safety devices: child-safety function
- maximum absorbed power: 1.45 kW



**SATIN STAINLESS STEEL/BLACK GLASS**

code **1MOXI**

**€ 644.00**

#### Accessories:



**33**

code **1CG9**

**€ 216.00**

75 CM CITY INDUCTION HOB  
A new measure of time and space.

---



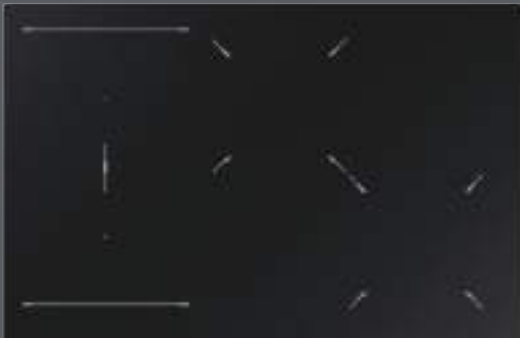
With the new 75 cm modularity, Barazza is committed to giving a new dimension to the kitchen environment, making it the beating heart of the home, where functionality and aesthetics meet to offer a unique and satisfying experience.

The 75 cm City induction hob, equipped with numerous functions such as power management, Chef Cook and Bridge, ensures an efficient and safe cooking experience, ideal for those who love cooking with precision and control.

# CITY INDUCTION HOB

## 75 cm flat glass edge built-in and flush

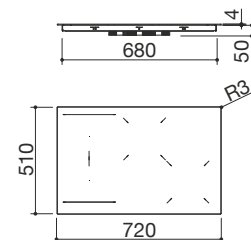
75 cm built-in and flush City hob  
4 induction zones



FGB FT

Accessories: 74

- Touch Control
- functions: power management, Chef Cook, Bridge, automatic pan recognition, Booster, selective pan detection, pause reminder function, cooking end timer 1-600', minute minder, automatic preheating, keep warm
- safety devices: electronic child safety lock, residual heat indicator, overflow alarm, safety switch-off
- minimum pan diameter:  $\varnothing 110$  mm
- adjustable power levels:  
1.4 - 1.5 - 1.6 - ... - 6.5 - 6.6 - 6.7 - 7.4kW
- maximum absorbed power: 7.4 kW
- 70X49 cm cut out  
flush: see website



### Induction zones power:

- 2 zones  $\varnothing 200$  mm: 2.3-3 kW (\*)
- 2 Octa zones: 2.1-3 kW (\*)

(\*) in Booster function

4 mm BLACK GLASS CERAMIC

code 1PIDC75N

€ 1,040.00

### Accessories:



74

code 1BID

€ 298.00

**Standard equipment:** integrated clips for quick attachment, seal.

## B\_SMART SINK AND R. 15 SQUARE BOWLS

Not only practical, a study in beauty.

---



The new 75 cm modularity also includes spacious sink and square bowls, designed to combine elegance and functionality in every detail.

These elements integrate perfectly into the kitchen environment, offering not only a refined design but also unparalleled practicality. They are complemented by a wide range of accessories, making the washing area a true workstation.



## B SMART SINK flat edge built-in and flush

67x50.5 cm built-in and flush B\_Smart sink  
1 bowl



## SQUARE BOWLS R. "15" flat edge built-in, flush and undermounted

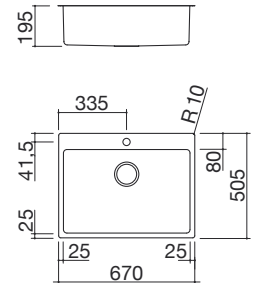
62x40 cm Square bowl R. "15"  
built-in, flush and undermounted



FEB FT

Accessories: 8 17 20 25 38 40  
43 45 61 62 66 71

- extra thick stainless steel AISI 304
- bowl with radius "15"
- 62x40x19.5 h bowl
- equipment: 3½" basket strainer waste, overflow with perimeter overflow
- tap hole
- 75 cm base unit for bowls
- 65x49 cm cut out flush: see website



SATIN STAINLESS STEEL

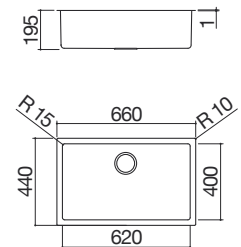
code 1LBS71

€ 498.00

FEB FT UM

Accessories: 8 17 20 25 38 40 43 45  
54 61 62 64 65 66 71

- extra thick stainless steel AISI 304
- 62x40x19.5 h bowl
- equipment: 3½" basket strainer waste, overflow with perimeter overflow
- base unit for bowls: 75
- 64x42 cm cut out + notch for overflow flush and undermounted: see website



SATIN STAINLESS STEEL built-in and flush

code 1X6240I

€ 429.00

SATIN STAINLESS STEEL undermounted

code 1X6240S

€ 360.00

### Accessories:



8  
code 1TOF26  
€ 90.00



17  
code 1VOF  
€ 129.00



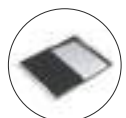
20  
code 1VSOF  
€ 193.00



25  
code 1CIVQ  
€ 126.00



38  
code 1CPI  
€ 20.00



40  
code 1CITN  
€ 197.00



43  
code 1TOF26N  
€ 110.00



45  
code 1GSPA  
€ 70.00



61  
code 1CIFX  
€ 314.00



62  
code 1VSFX  
€ 317.00



64  
code 1SPSI  
€ 87.00



65  
code 1SPSN  
€ 189.00



66  
code 1GLN  
€ 182.00



71  
code 1GQRN  
€ 186.00

Standard equipment: fixing clips, space-saver trap with dishwasher connection, cardboard packaging.





## 60 CM ICON ONE OVENS AND MICROWAVE

The essence of functionality.

---

The new 60 cm Icon One oven, with a digital programmer that brings the temperature up to 270° C, and the coordinated microwave with frame are available in Exclusive, Steel, and Glass finishes.

A combination that expands possibilities in the kitchen, offering quick, versatile, and innovative solutions to traditional cooking systems.

# ICON ONE OVENS

## 60 cm built-in

60 cm Icon One Exclusive built-in oven  
Multiprogram



60 cm Icon One Steel built-in oven  
Multiprogram



60 cm Icon One Glass built-in oven  
Multiprogram

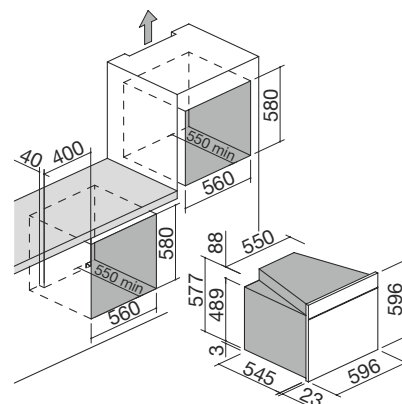


energy rating **A**

Accessories: **28 29**



- 8 manual functions + rapid defrost function
- maximum temperature: 270° C
- capacity: 65 litres
- electronic digital start/stop cooking programmer and timer
- features: front controls, knobs and handle in Soft-Touch finish, Easy-Clean oven interior, automatic extractable and removable door with triple and heat-reflecting glass, Soft-Close hinges, tangential cooling fan, drop down grill, 2 internal lights, side racks
- equipment: 1 deep Easy Clean enamelled steel tray, 1 Easy Clean enamelled steel tray, 1 steel rack
- safety device: safety switch-off
- maximum absorbed power: 2.7 kW



**MATT BLACK STAINLESS STEEL**

code **1FIOEPN**

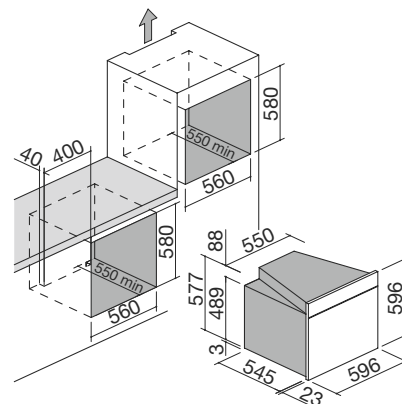
€ **1,328.00**

energy rating **A**

Accessories: **28 29**



- 8 manual functions + rapid defrost function
- maximum temperature: 270° C
- capacity: 65 litres
- electronic digital start/stop cooking programmer and timer
- features: front controls, knobs and handle in Soft-Touch finish, Easy-Clean oven interior, automatic extractable and removable door with triple and heat-reflecting glass, Soft-Close hinges, tangential cooling fan, drop down grill, 2 internal lights, side racks
- equipment: 1 deep Easy Clean enamelled steel tray, 1 Easy Clean enamelled steel tray, 1 steel rack
- safety device: safety switch-off
- maximum absorbed power: 2.7 kW



**SATIN STAINLESS STEEL**

code **1FIOSP**

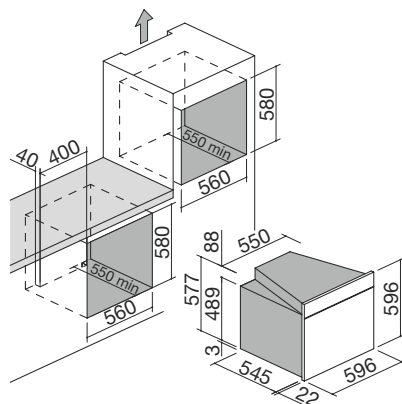
€ **1,254.00**

energy rating **A**

Accessories: **28 29**



- 8 manual functions + rapid defrost function
- maximum temperature: 270° C
- capacity: 65 litres
- electronic digital start/stop cooking programmer and timer
- features: front controls, knobs and handle in Soft-Touch finish, Easy-Clean oven interior, automatic extractable and removable door with triple and heat-reflecting glass, Soft-Close hinges, tangential cooling fan, drop down grill, 2 internal lights, side racks
- equipment: 1 deep Easy Clean enamelled steel tray, 1 Easy Clean enamelled steel tray, 1 steel rack
- safety device: safety switch-off
- maximum absorbed power: 2.7 kW



**BLACK GLASS**

code **1FIOGP**

€ **1,228.00**

Accessories:



**28**

code **1PP60**

€ **87.00**



**29**

code **1CG6**

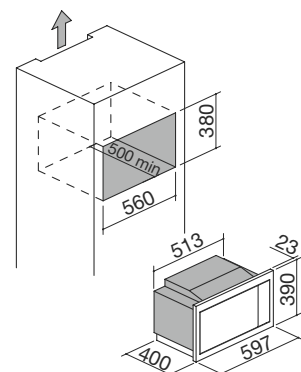
€ **127.00**

# MICROWAVE OVENS built-in

## Exclusive built-in microwave oven



- 6 cooking functions
- automatic programming for 8 types of food
- capacity: 25 litres
- features: steel oven interior, glass inner door, double-glass side-opening door, internal light
- equipment: extractable turnable plate, raised removable grill rack
- safety devices: child-safety function
- maximum absorbed power: 1.45 kW



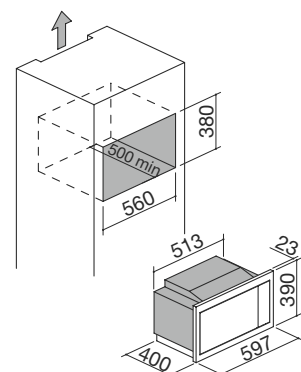
**MATT BLACK STAINLESS STEEL/BLACK GLASS** code **1MOEN**

€ 632.00

## Steel built-in microwave oven



- 6 cooking functions
- automatic programming for 8 types of food
- capacity: 25 litres
- features: steel oven interior, glass inner door, double-glass side-opening door, internal light
- equipment: extractable turnable plate, raised removable grill rack
- safety devices: child-safety function
- maximum absorbed power: 1.45 kW



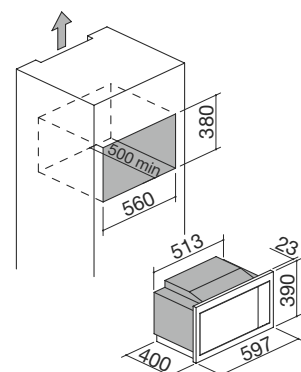
**SATIN STAINLESS STEEL/BLACK GLASS** code **1MOI**

€ 547.00

## Glass built-in microwave oven



- 6 cooking functions
- automatic programming for 8 types of food
- capacity: 25 litres
- features: steel oven interior, glass inner door, double-glass side-opening door, internal light
- equipment: extractable turnable plate, raised removable grill rack
- safety devices: child-safety function
- maximum absorbed power: 1.45 kW



**BLACK GLASS**

code **1MOGN**

€ 578.00

## 90 CM ICON XL OVENS

The size of desires.

---



There are no limits to what is possible do in the kitchen. Icon offers a new XL oven of 90x60 cm with an exclusive capacity of 120 liters that gives space to every culinary ambition. Great functionality covered in three different finishes: Exclusive, Steel, and Glass.



# ICON XL OVENS

## 90 cm built-in

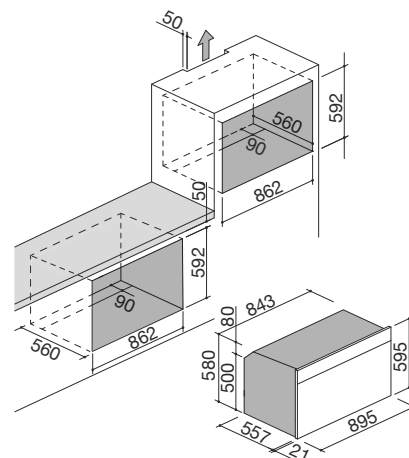
90 cm Icon XL Exclusive built-in oven  
Multiprogram



energy rating **A**



- 90x60 cm
- 8 manual functions
- capacity: 120 litres
- electronic digital start/stop cooking programmer and timer
- maximum temperature: 250° C
- features: front controls, knobs and handle in Soft-Touch finish, extractable and removable door with triple heat-reflecting glass, Easy Clean oven interior, dark grey glass, Soft-Close hinges, tangential cooling fan, 2 rear lights, side racks
- equipment: 1 Easy Clean enamelled steel tray, 1 steel rack, rotisserie
- safety devices: safety switch-off
- maximum absorbed power: 3.15 kW



**MATT BLACK STAINLESS STEEL**

code **1FICNE9EN**

€ **2,289.00**

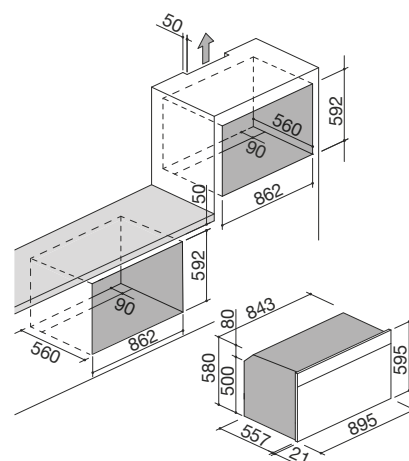
90 cm Icon XL Steel built-in oven  
Multiprogram



energy rating **A**



- 90x60 cm
- 8 manual functions
- capacity: 120 litres
- electronic digital start/stop cooking programmer and timer
- maximum temperature: 250° C
- features: front controls, knobs and handle in Soft-Touch finish, extractable and removable door with triple heat-reflecting glass, Easy Clean oven interior, dark grey glass, Soft-Close hinges, tangential cooling fan, 2 rear lights, side racks
- equipment: 1 Easy Clean enamelled steel tray, 1 steel rack, rotisserie
- safety devices: safety switch-off
- maximum absorbed power: 3.15 kW



**SATIN STAINLESS STEEL**

code **1FICN9EI**

€ **2,167.00**

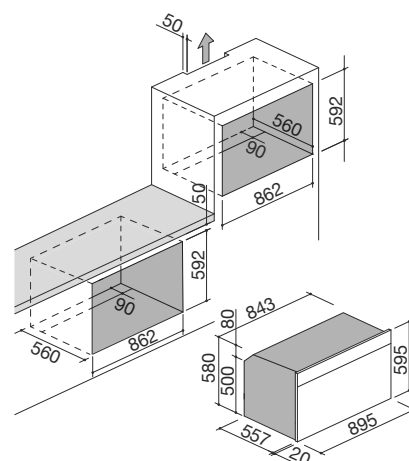
90 cm Icon XL Glass built-in oven  
Multiprogram



energy rating **A**



- 90x60 cm
- 8 manual functions
- capacity: 120 litres
- electronic digital start/stop cooking programmer and timer
- maximum temperature: 250° C
- features: front controls, knobs and handle in Soft-Touch finish, extractable and removable door with triple heat-reflecting glass, Easy Clean oven interior, dark grey glass, Soft-Close hinges, tangential cooling fan, 2 rear lights, side racks
- equipment: 1 Easy Clean enamelled steel tray, 1 steel rack, rotisserie
- safety devices: safety switch-off
- maximum absorbed power: 3.15 kW



**DARK GREY BLACK GLASS**

code **1FICN9E**

€ **1,831.00**

## 60 CM VELVET ADVANCE OVENS

The new expression of elegance.

---



Velvet Advance is an iconic oven, characterized by an intriguing charm thanks to the special dark grey glass, with a darkening effect, used for the window. This is further emphasized by its Full-Touch design, with no protruding knobs or controls.

Available in the Exclusive, Steel, and Glass finishes, it is also equipped with the Zefiro sanitization system.

# VELVET ADVANCE OVENS

## 60 cm built-in

60 cm Velvet Advance Exclusive built-in oven  
Touch Screen

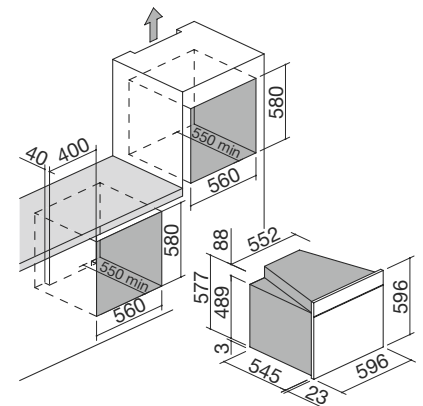


energy rating **A**

Accessories: **28**



- Zefiro sanitification system
- 11 manual functions
- 16 automatic cooking programs
- 30 customisable cooking programs
- Veggy mode
- maximum temperature: 250° C
- capacity: 65 litres
- interactive and multilingual Touch Screen
- features: handle in Soft-Touch finish, Easy Clean oven interior, extractable and removable door with triple heat-reflecting glass, dark grey glass, Soft-Close hinges, tangential cooling fan, drop-down grill, 2 internal lights, side racks
- equipment: 1 deep Easy Clean enamelled steel tray, 1 Easy Clean enamelled steel tray, 1 steel rack, 2 pairs of telescopic oven rails
- safety devices: safety switch-off, child-safety function
- maximum absorbed power: 2.7 kW



**MATT BLACK STAINLESS STEEL**

code **1FVAPEN**

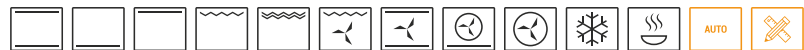
€ **1,870.00**

60 cm Velvet Advance Steel built-in oven  
Touch Screen

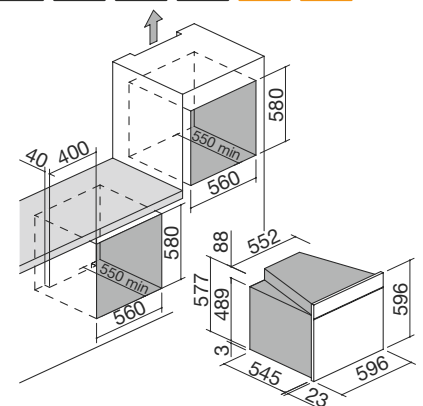


energy rating **A**

Accessories: **28**



- Zefiro sanitification system
- 11 manual functions
- 16 automatic cooking programs
- 30 customisable cooking programs
- Veggy mode
- maximum temperature: 250° C
- capacity: 65 litres
- interactive and multilingual Touch Screen
- features: handle in Soft-Touch finish, Easy Clean oven interior, extractable and removable door with triple heat-reflecting glass, dark grey glass, Soft-Close hinges, tangential cooling fan, drop-down grill, 2 internal lights, side racks
- equipment: 1 deep Easy Clean enamelled steel tray, 1 Easy Clean enamelled steel tray, 1 steel rack, 2 pairs of telescopic oven rails
- safety devices: safety switch-off, child-safety function
- maximum absorbed power: 2.7 kW



**SATIN STAINLESS STEEL**

code **1FVAPI**

€ **1,797.00**

60 cm Velvet Advance Glass built-in oven  
Touch Screen

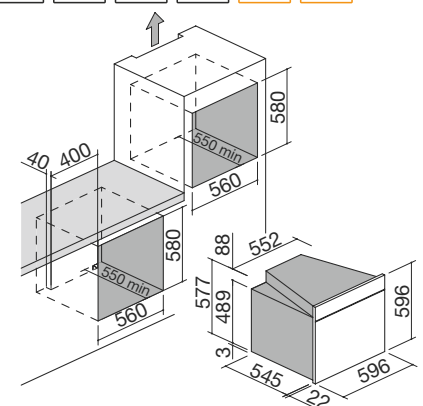


energy rating **A**

Accessories: **28**



- Zefiro sanitification system
- 11 manual functions
- 16 automatic cooking programs
- 30 customisable cooking programs
- Veggy mode
- maximum temperature: 250° C
- capacity: 65 litres
- interactive and multilingual Touch Screen
- features: handle in Soft-Touch finish, Easy Clean oven interior, extractable and removable door with triple heat-reflecting glass, dark grey glass, Soft-Close hinges, tangential cooling fan, drop-down grill, 2 internal lights, side racks
- equipment: 1 deep Easy Clean enamelled steel tray, 1 Easy Clean enamelled steel tray, 1 steel rack, 2 pairs of telescopic oven rails
- safety devices: safety switch-off, child-safety function
- maximum absorbed power: 2.7 kW



**DARK GREY BLACK GLASS**

code **1FVAPN**

€ **1,756.00**

Accessories:



**28**

code **1PP60**

€ **87.00**

## 90 CM ICON INDUCTION HOB

Uncompromising style.

---



An induction cooktop that impresses with performance and simplicity. Space for creativity with an even larger surface and open to technological innovations in line with the Icon collection, featuring functions such as automatic cooking, Bridge, and automatic pot detection.

# ICON INDUCTION HOB

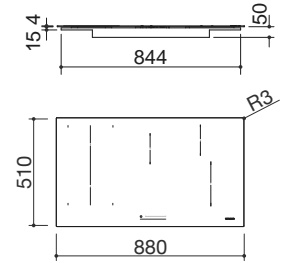
## 90 cm flat glass edge built-in and flush

90 cm built-in and flush Icon hob  
5 induction zones



Accessories: **74**

- Touch Screen
- functions: automatic cooking functions (low temperature, boiling, melting, reheat, keep warm), Bridge for the left zones, automatic pan recognition, Booster, selective pan detection, pause/reminder function, independent cooking end timer, adjustable power levels
- safety devices: electronic child safety lock, residual heat indicator, overflow alarm, safety switch-off
- minimum pan diameter:  
ø 90 mm - ø 110 mm
- maximum absorbed power: 7.2 kW
- 87x49 cm cut out  
flush: see website



### Induction zones power:

- 2 zones ø 145 mm 1.2-1.8 kW (\*)
  - 1 zone ø 210 mm 2.2-3.6 kW (\*)
  - 2 oval zones 2.2-3.6 kW (\*)
- (\*) in Booster function

4 mm BLACK GLASS CERAMIC

code 1PID9

€ 1,990.00

### Accessories:



**74**

code 1BID  
€ 298.00

**Standard equipment:** integrated clips for quick attachment, seal.



80 CM ZERO  
ADVANCE INDUCTION HOB  
Functionality in evolution.

---

The new cooker hood arrangement enhances suction quality and the available space on the hob.

The updated filter version requires no special installation and allows easy removal of filters from the worktop, making routine maintenance practical.

The cooker hood control integrated into the Touch Control panel features a convenient automatic start to immediately capture odors.



# ZERO ADVANCE INDUCTION HOB WITH INTEGRATED HOOD

## 80 cm flat glass edge built-in and flush

80 cm built-in and flush Zero Advance hob  
integrated cooker hood



Accessories: 74

### INDUCTION

- Touch Control
- functions: power management, Bridge, automatic pan recognition, Booster, selective pan detection, pause/reminder function, cooking end timer 1-600', minute minder, automatic preheating, keep warm
- safety devices: electronic child safety lock, residual heat indicator, overflow alarm, safety switch-off
- minimum pan diameter:  $\varnothing 110$  mm
- adjustable power levels: 2.8 – 3.5 – 4.5 – 7.4 kW
- maximum absorbed power: 7.4 kW

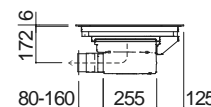
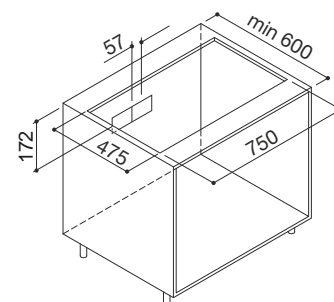
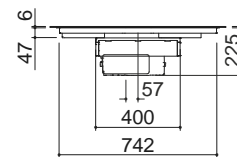
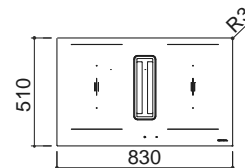
### HOOD

- speeds: 8 + 2 intensive speeds
- automatic hood extraction
- rated air-flow: 800 m<sup>3</sup>/h
- pressure: 497 Pa
- noise level: 63-69 Lw (dBA)
- filter: black aluminium
- energy rating: A+
- maximum absorbed power: 0.22 kW
- rear outlet
- optional filtering extraction
- suction outlet cut out: 221x91 r.12 mm

### Induction zones power:

- 4 Octa zones: 2.1 – 3 (\*) – 3.7 (\*\*) kW
- (\*) with Booster function
- (\*\*) with Bridge function

- 75x47.5 cm cut out  
flush: see website



**BLACK GLASS CERAMIC  
WITH BLACK EXTRACTION GRID**

code 1PZA8N

€ 2,990.00

### Accessories:



74

code 1BID  
€ 298.00



code 1FZA  
€ 129.00



code 1FCZA  
€ 477.00



code 1TPZA  
€ 209.00



code 1UZA  
€ 172.00

Standard equipment: seal.

## 80 CM THALAS TEPPANYAKI HOB

The infinite horizons of taste.

---

The 80 cm Thalys teppanyaki hob from the Outdoor collection, in AISI 316 stainless steel, equipped with a 6 mm thick stainless steel plate for cooking meat, fish, and vegetables without adding seasonings, and with two cooking zones with a thermostat, is designed to meet the most sophisticated outdoor entertaining needs.



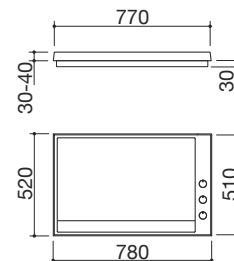
# THALAS TEPPANYAKI HOB

## 80 cm built-in

80 cm built-in Thalys hob  
teppanyaki



- extra thick AISI 316 stainless steel
- AISI 304 stainless steel single hotplate, 6 mm thick
- double thermostat
- 2 cooking zones
- electronic temperature control 50° C to 250° C
- hotplate activation indicator and thermostat
- equipment: removable cooking liquid tray, Schuko mains plug, fixing clips, seal
- waterproof cover
- maximum absorbed power: 2 kW
- 76x49 cm cut out



**SATIN AISI 316 STAINLESS STEEL**

code **1PTI8TK**

€ **2,280.00**

Availability: **NOVEMBER 2024**





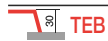
70 CM THALAS BARBECUE HOB  
Our desire for endless new horizons.

---

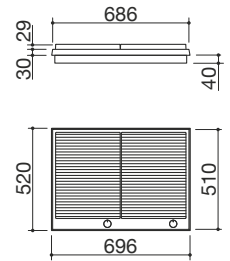
The electric 70 cm Thalás barbecue hob from the Outdoor collection, in AISI 316 stainless steel, with lava rock that absorbs liquids and prevents smoke formation and removable trays, offers a grilling quality similar to traditional charcoal cooking.

# THALAS BARBECUE HOB 70 cm built-in

70 cm built-in Thalys hob  
barbecue



- extra thick AISI 316 stainless steel
- barbecue with electric element
- cast iron grids
- 2 cooking zones
- lava stone to absorb cooking liquids
- AISI 304 stainless steel removable trays
- settings 0 to 9
- heating element activation indicators
- equipment: Schuko mains plug, fixing clips, seal
- waterproof cover
- maximum absorbed power: 3.5 kW
- 66.5x49 cm cut out



SATIN AISI 316 STAINLESS STEEL

code 1PTI7BQ

€ 1,610.00



## OVEN AND COORDINATED PRODUCTS ACCESSORIES

### Pizza plate



**28** for 60 cm ovens  
dimensions of plate: 38x35 cm      code 1PP60      € 87.00

### 2 pairs of telescopic oven rails



**29** for 60 cm ovens      code 1CG6      € 127.00

### 2 pairs of telescopic oven rails



**33** for 75 cm Icon X ovens      code 1CG9      € 216.00

## POP-UP PLUG KIT

### Smart pop-up plug Kit



- control hole: ø 35 mm
- with stainless steel drain cover, 3½" waste and perimeter overflow

**64**      code 1SPSI      € 87.00

### Black Smart pop-up plug Kit

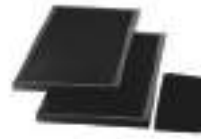


- control hole: ø 35 mm
- with 3½" basket strainer waste, and perimeter overflow

**65**      code 1SPSN      € 189.00

## HOB WITH INTEGRATED COOKER HOOD ACCESSORIES

### Zero Advance carbon filter kit



code 1FZA      € 129.00

### Zero Advance ceramic filter kit



code 1FCZA      € 477.00

### Zero Advance rectangular duct kit



code 1TPZA      € 209.00

### Zero Advance air exit base grille



code 1UZA      € 172.00

## HOBS ACCESSORIES

### Cast iron grill for induction hobs



**74** grill dimensions: 26x42      code 1BID      € 298.00

# SINKS AND SQUARE BOWLS ACCESSORIES

## Polyethylene chopping board



8 chopping board dimensions: 26x43 code 1TOF26 € 90.00

## Black HPL chopping board



43 chopping board dimensions: 26x43 code 1TOF26N € 110.00

## AISI 304 stainless steel colander



17 colander dimensions: 15x43x12 code 1VOF € 129.00

## Stainless steel Roll-Up multi-purpose rack



45 rack dimensions: 46x44 code 1GSPA € 70.00

## AISI 304 stainless steel colander with removable draining rack



20 colander dimensions: 25x43x7 h code 1VSOF € 193.00

## AISI 304 stainless steel perforated bowl cover with black HPL draining rack



61 bowl cover dimensions: 25x43 code 1CIFX € 314.00

## AISI 304 stainless steel perforated bowl cover



25 bowl cover dimensions: 25x43 code 1CIVQ € 126.00

## AISI 304 stainless steel colander with black HPL draining rack



62 colander dimensions: 25x43x7 h code 1VSFX € 317.00

## Stainless steel drain cover with basket



38 code 1CPI € 20.00

## Black HPL support grid



66 grid dimensions: 26.5x43 code 1GLN € 182.00

## AISI 304 stainless steel perforated bowl cover with black HPL chopping board



40 bowl cover dimensions: 25x43 code 1CITN € 197.00

## Black HPL support grid for bowl bottom



71 grid dimensions: 33.8x38.3 code 1GQRN € 186.00

## WEIGHTS AND VOLUMES search by code

Code	Page	Dim. of pack. (cm)	Volume (m <sup>3</sup> )	Weight (kg)
1BID	25, 37, 39, 44	51x41x8	0,02	6
1CG6	30, 44	50x16x13	0,01	1,5
1CG9	23, 44	50x16x13	0,01	1,6
1CIFX	27, 45	50x28x8	0,01	1,9
1CITN	27, 45	50,5x28x8	0,01	1,9
1CIVQ	27, 45	50,5x28x8	0,01	1,1
1CPI	27, 45	10x10x10	0,01	0,1
1FCA6I	12	58x57x186	0,62	53
1FCE6I	13	58x57x186	0,62	53
1FCZA	39, 44	40x20x12	0,09	1,9
1FICN9E	33	93x71x64	0,42	48
1FICN9EI	33	93x71x64	0,42	60
1FICNE9EN	33	93x71x64	0,42	60
1FIOEPN	30	64x64x67,5	0,28	48
1FIOGP	30	64x64x67,5	0,28	48
1FIOSP	30	64x64x67,5	0,28	48
1FIXEPN	22	65x80x66	0,34	50
1FIXGP	22	65x80x66	0,34	48
1FIXSP	22	65x80x66	0,34	50
1FVAPEN	35	64x64x67,5	0,28	48
1FVAPI	35	64x64x67,5	0,28	48
1FVAPN	35	64x64x67,5	0,28	48
1FZA	39, 44	56x24x2,5	0,03	0,5
1GLN	27, 45	51x41x8	0,01	2,5
1GQRN	27, 45	51x41x8	0,02	3
1GSPA	27, 45	50x8x8	0,03	0,8
1LBS71	27	90x55x28	0,13	10,3
1LVA6I	16	66x64,5x88	0,38	49
1LVE6I	17	66x64,5x88	0,38	49
1MOEN	31	50x65x45,5	0,15	21
1MOGN	31	50x65x45,5	0,15	20,6
1MOI	31	50x65x45,5	0,15	21
1MOXEN	23	82x54x52	0,23	23,5
1MOXI	23	82x54x52	0,23	23,5
1PIDC75N	25	87x61x13	0,07	11,6
1PIDI9	37	99x64x14	0,17	18
1PP60	30, 35, 44	51x41x8	0,02	3,3
1PTI7BQ	43	96x68x18	0,12	32
1PTI8TK	41	96x68x18	0,12	35
1PZA8N	39	110x71x34	0,26	26
1SPSI	27, 44	38x33x8	0,01	1
1SPSN	27, 44	38x33x8	0,01	1
1TOF26	27, 45	43x26x2	0,01	2
1TOF26N	27, 45	51x41x8	0,02	3,2
1TPZA	39, 44	122x33x37	0,15	5,2
1UZA	39, 44	51x26x12,5	0,16	1,7
1VOF	27, 45	50x16x13	0,01	1,4
1VSFX	27, 45	50,5x28x8	0,01	2,7
1VSOF	27, 45	50x28x8	0,01	2,2
1X6240I	27	79x49,5x27	0,1	8
1X6240S	27	79x49,5x27	0,1	7,5

## CERTIFICATIONS

Barazza is certified according to the standards UNI EN ISO 9001 and 14001.

In addition to the UNI EN ISO 9001 certification, which guarantees quality control and optimisation of production processes, and has customer satisfaction as its primary objective, Barazza also complies with UNI EN ISO 14001. The aim is to maintain and improve its environmental system. This includes managing the impact of its activities in an effective and eco-sustainable manner, optimising natural resources, as well as energy resources, and implementing regular control systems for waste disposal and preventing environmental pollution.



## GENERAL NOTES

Barazza reserves the right to make any changes, at any time and without prior notice, to improve its products. The colours shown are by way of example only. Reproduction of this catalogue for commercial purposes, without specific authorisation from Barazza, is strictly forbidden.

Art Direction: Claim.Brandindustry  
Photography: Fotografica  
Post-Production: Fotografica  
Lithography: Daniele Casarsa

Paper: Sappi Magno satin 170 g  
Cover: Sappi Magno satin 300 g  
Printed in Italy: Grafiche Antiga Spa 07.2024

**BARAZZA**  
taste of design

**Barazza srl**

31025 Sarano di S. Lucia di Piave (TV) ITALIA  
Via Risorgimento, 14  
Tel. +39 0438 62888 - Fax +39 0438 64901  
info@barazzasrl.it - www.barazzasrl.it

